

Features

- Universal Input 90~264VAC 50/60Hz
- Output Voltages: 5~36V DC
- Operating Temperature Range: 0~40°
- Safety Approvals: CE, TUV-GS, RoHS
- Low Ripple & Noise
- Protection: Overload/Over voltage/Short circuit
- Dimensions: 155 x 65.5 x 39.5 mm



Ideal Power's 59RKPO-UKxxxxxxxCD-5 72W AC/DC Lugged External Desktop Power Supply (PSU) Series are certified to CE, TUV-GS, RoHS & EN 62368-1/IEC 62368-1/UL 62368-1 Standards and comply with (EU) 2019/1782, Level VI Efficiency Regulations. These are primarily used in ITE, Audio & Video Industries and customised solutions are available upon request.

Models

| Model Number | Output Voltage | Output Current | Output Power | Efficiency |
|----------------------|----------------|----------------|--------------|------------|
| 59RKPO-UK0506000CD-6 | 5V DC | 6A | 30W | 85.7% |
| 59RKPO-UK0906000CD-6 | 9V DC | 6A | 54W | 88% |
| 59RKPO-UK1206000CD-6 | 12V DC | 6A | 72W | 88% |
| 59RKPO-UK2403000CD-6 | 24V DC | 3A | 72W | 88% |
| 59RKPO-UK3602000CD-6 | 36V DC | 2A | 72W | 88% |

General Specification

| | |
|--------------------------|--|
| Type | In Line Lugged Power Supply |
| Rated Voltage | 100V AC to 240V AC |
| Variation Voltage | 90V AC to 264V AC |
| Rated Frequency | 50/60Hz |
| Variation Frequency | 47-63Hz |
| Number of Outputs | 1 |
| Connection Type | Barrel Plug Centre Positive 2.1mm x 5.5mm |
| Input | BS plug +1.5 HO5RN-F 2x1.0mm ² |
| Output | Waterproof Connector |
| Overload Protection | Yes |
| Over Current Protection | Auto recovery when over current faults remove. |
| Short Circuit Protection | When the output load short-circuit, the power supply will protect, troubleshooting can resume normal work. |
| Over Voltage Protection | Auto recovery when faults remove 120%~170%. |

Mechanical Specifications

| | |
|--------------------|-------------------------------------|
| Housing Material | Sealed with epoxy for waterproofing |
| Overall Dimensions | 155 x 65.5 x 39.5 mm |
| Overall Length | 155mm |
| Overall Depth | 65.5mm |
| Overall Width | 39.5mm |

Input Specifications

| | |
|-----------------|---|
| Input Current | 0.3 Amps max At any input voltage and rated, DC output rated load. |
| Inrush Current | 20 Amps Max. Cold start at 240Vac input, with rated load and 25 °C ambient. |
| Leakage Current | 0.25mA Max. At 240Vac input. |

Output Specifications

| | |
|--------------------|---|
| Ripple and Noise | 300mV p-p with Max. Bandwidth of 20MHz and Parallel 47uF/0.1uF, |
| Line Regulation | +1% |
| Load Regulation | +5% |
| Rise time | 40 mS Max. at 115Vac input and output Max load. |
| Hold Up time | 5 mS Min. at 115Vac input and output Max. Load. |
| Turn on Delay Time | 3 Second Max. at 115Vac input and output Max. load. |
| Efficiency | Up to 86% Min, At 115/230Vac input voltage, full load calculation |

Operational Environment

| | |
|-----------------------------|--|
| Operating Temperature Range | 0°C to 40°C, Full load, Normal operation. |
| Storage Temperature Range | 10°C to 80°C |
| Relative Humidity | 5%(0°C)~90%(40°C)RH, 72Hrs, Full load, Normal operating. |

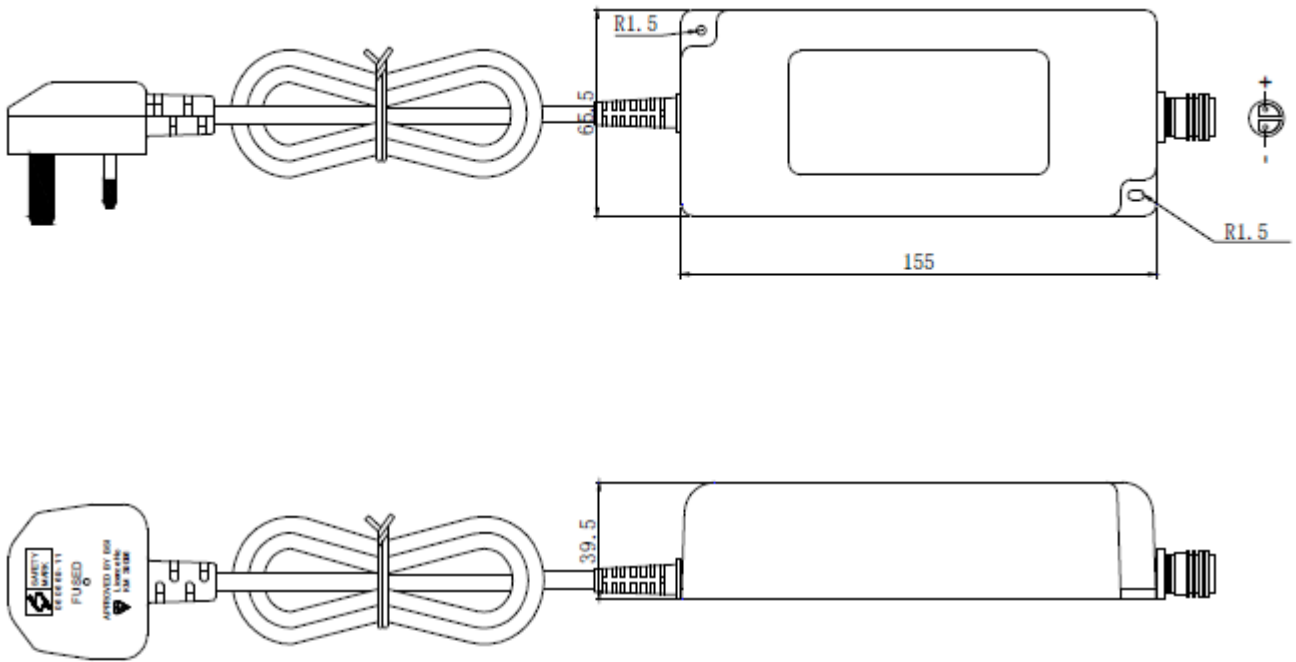
Safety Requirements

| | |
|-----------------------|--|
| Dialectic Strength | Primary to secondary: 3000Vac5mA/3S for type test. |
| Insulation resistance | Primary to secondary: 10MΩ min at 500V DC. |

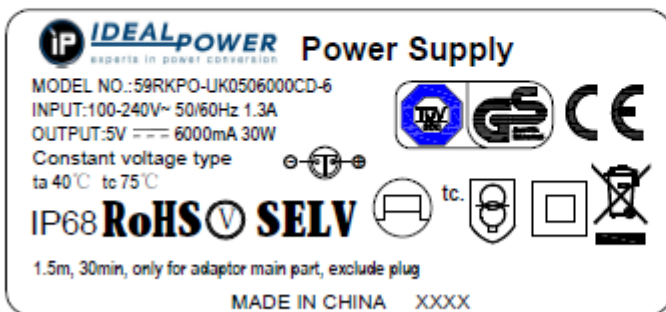
Approvals

| | |
|-----------------|--|
| Safety Standard | EN 61347-1:2015, EN 61347-2-13:2014+A1, EN 62493:2015 |
| EMI Standard | FCC part 15, EN55015 |
| EMC Emissions | EN55032(CISPR32), CNS13438 Class B, EN61000-3-2 Class A, EN61000-3-3, EN61000-4-2, 3, 4, 5, 6, 8, 11, EN55024, EN55035, EN61000-6-2, EN61204-3 |

Mechanical Drawing

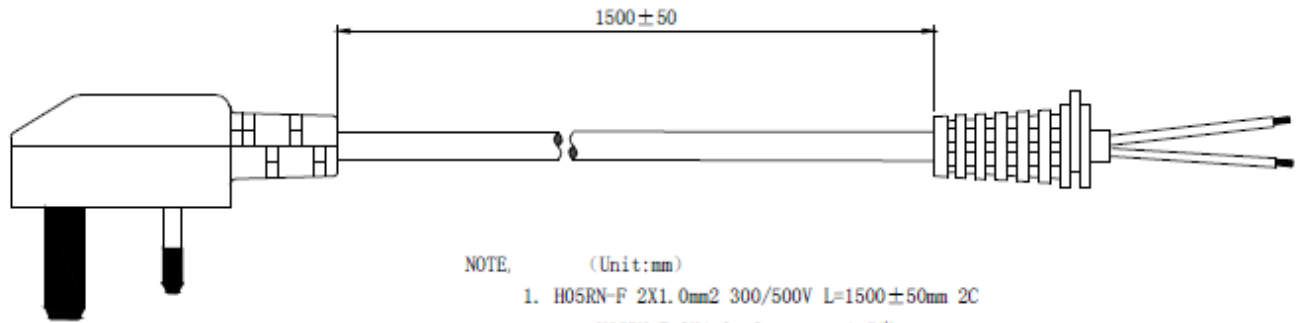


Label

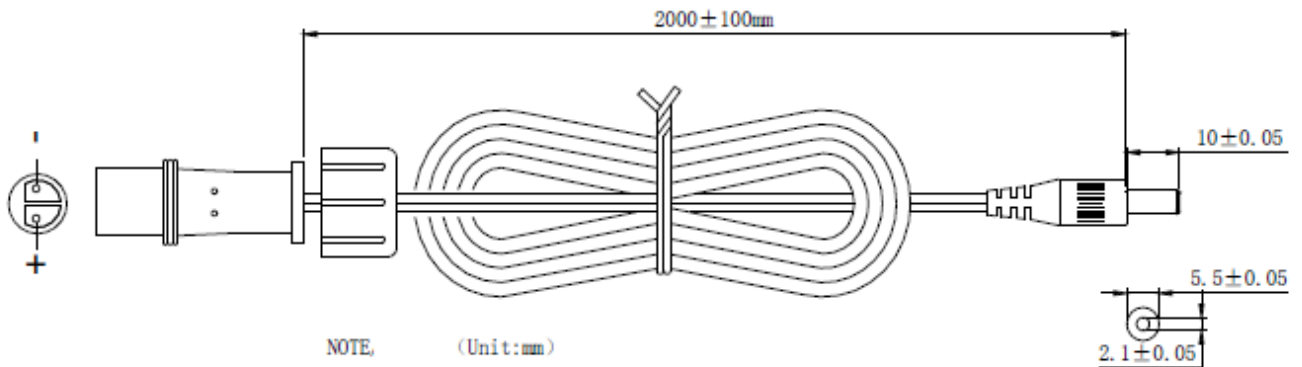
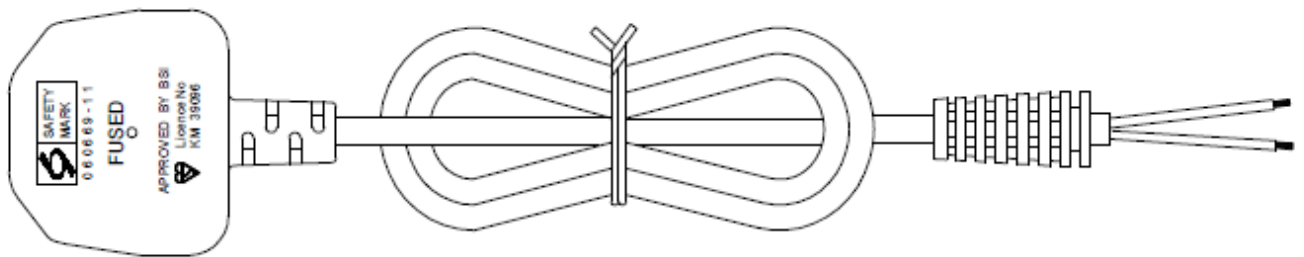


AC – DC

Cord Drawing



- NOTE, (Unit:mm)
- H05RN-F 2X1.0mm² 300/500V L=1500±50mm 2C
H05RN-F 2X1.0mm² 1.5米
 - BS Plug 3PIN Fuse:3A/250V~
3PIN 3A/250V

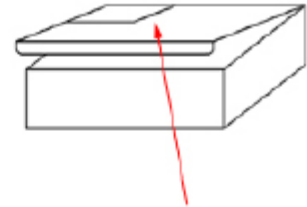
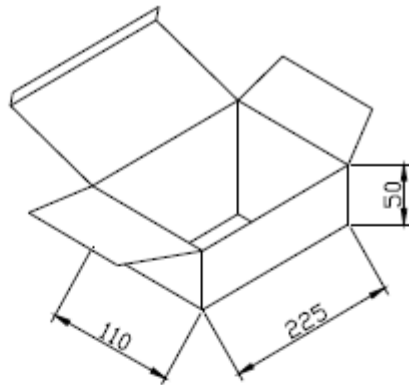


- NOTE, (Unit:mm)
- SPT-1W 18AWG VW-1 105C° 300V L=2000±100mm 2C
SPT-1W 18# 2米
 - The polarity:inner-positive, outer-negative
 - DC jack:5.5*2.1*10mm

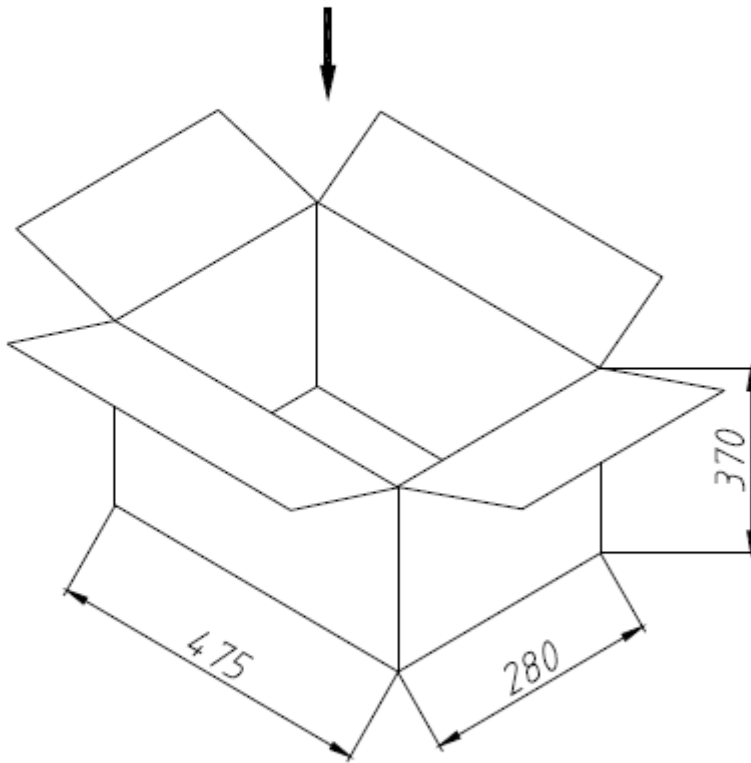
AC - DC

Packaging

AC - DC



59RKPO-UK0506000CD-6



白盒尺寸/BOX SIZE:225*110*50mm
材质/Material:350G
纸箱尺寸/CARTON SIZE:475*280*370mm
材质/Material:K=K
30PCS白盒装一箱/ Inner box 30pcs/crton